



NEC TM Data

— Brussels, 8th October 2019 —



Objectives

To increase the volumes of parallel data available by and in Member States and the EC by:

- **Gathering, Centralising, Re-using bilingual texts paid by Public Administration**
- Promoting the flow of TMs from translation companies to PPAAA (organise bilingual, national Big Data on-the-fly)
- Enable PPAA to leverage TMs (cost-savings)
- Supports translator's work by working on public sector texts
- Developing the CEF eTranslation platform

Concrete Actions



- Study on Translation Contracts- Mapping Relationships between PPAA and translation vendors
- Finding out the size of each national PA translation services market (www.nec-tm.eu)
- Building the National and European Central Translation Memory (beta)
- Dissemination (3 regional conferences, liaison with ELRC, online training)
- Deployment at national level (Spain committed, Latvia as part of Hugo.lv, etc.)



CIKLOPEA

National Expenditure on Translation Services – Mapping the relationships

The study aims to map the relationships between all translation contracts, vendors, amounts and buyers as well as establishing an average value, national expenditure, etc.

<https://www.nec-tm.eu/country-reports-nec-tm/>

TED, national and regional official gazettes will be used as sources.

This will enable the establishment of a report based on public contracts data and to extrapolate average costs and potential savings. It will also provide the basis for PPAA to know how much translated data is available from contractors.

Progress and Findings (per year, average 2018)

Progress in M €: Croatia 0,88; Slovenia 2; Slovakia 0,5; Hungary 3,3; Spain 14; Portugal 10; Ireland 1,5; Latvia 1,5; Lithuania 3,3; Estonia 2,5; France 20.
Soon to be published: Belgium, Netherlands, Romania, Germany, Poland.

Findings (provisional):

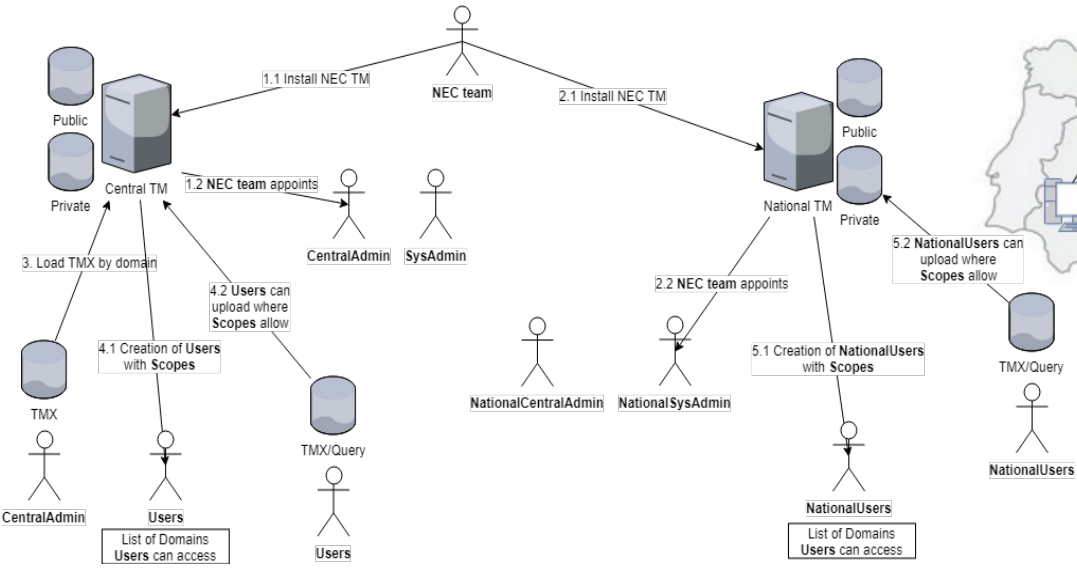
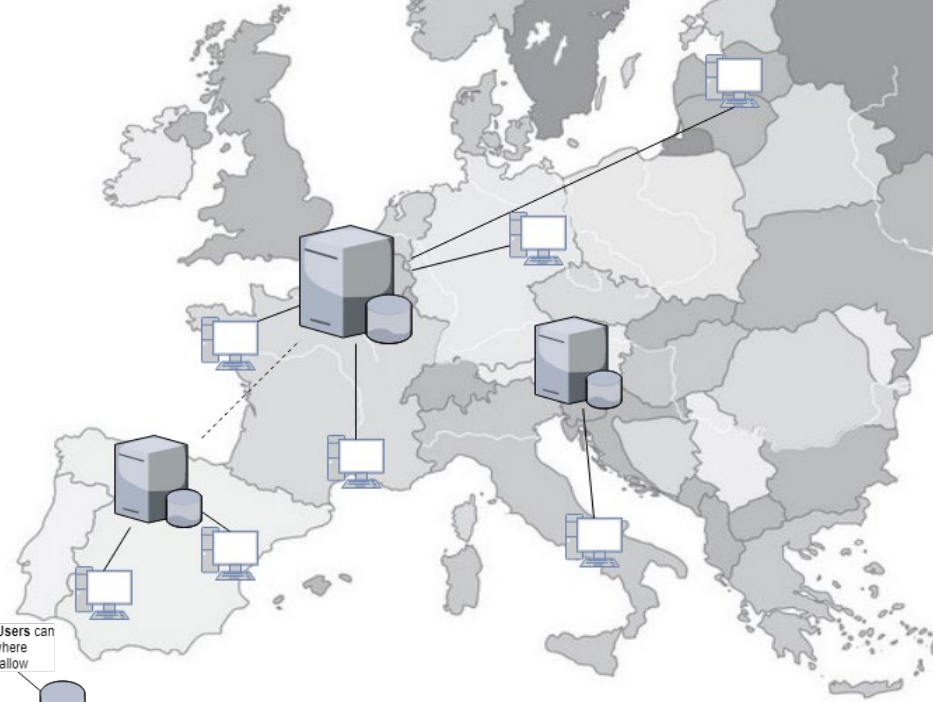
- European Public Administrations spend approximately **€300M** in translation services alone
- With TED and EC/Parliament expenditure, we are looking at a **€500M** market
- Taking into account interpreting services and staff costs and deviations, the Public Services Language Market is twice that figure: **900M - 1Bn €**

That is 500M € worth of text data and almost 1Bn including voice data

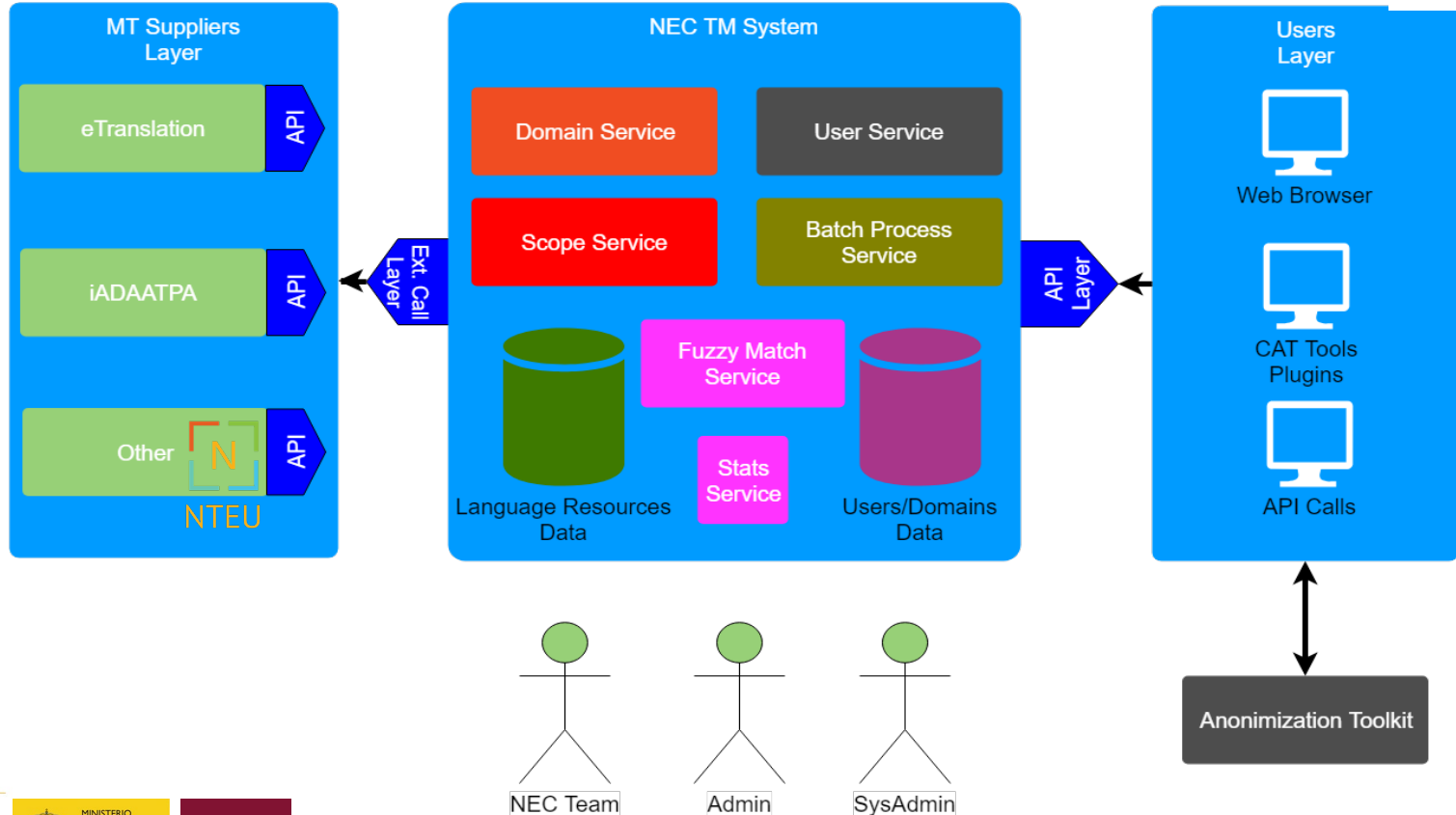


CIKLOPEA

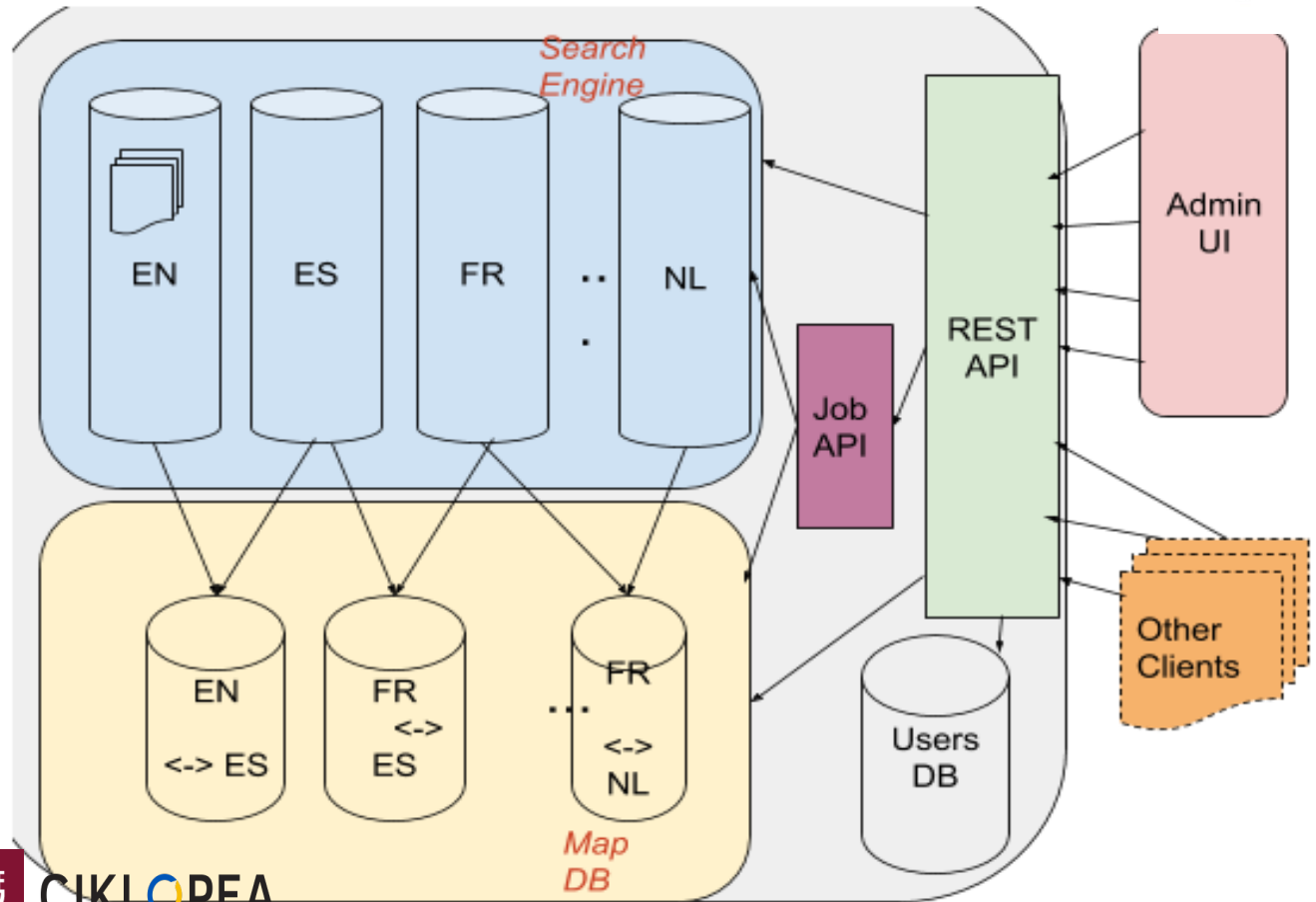
NEC TM System & Usage Case



NEC TM System – Logical View



NEC TM System – Technical View



Contact:



Manuel Herranz / Amando Estela / Alex Helle

info@nec-tm.eu